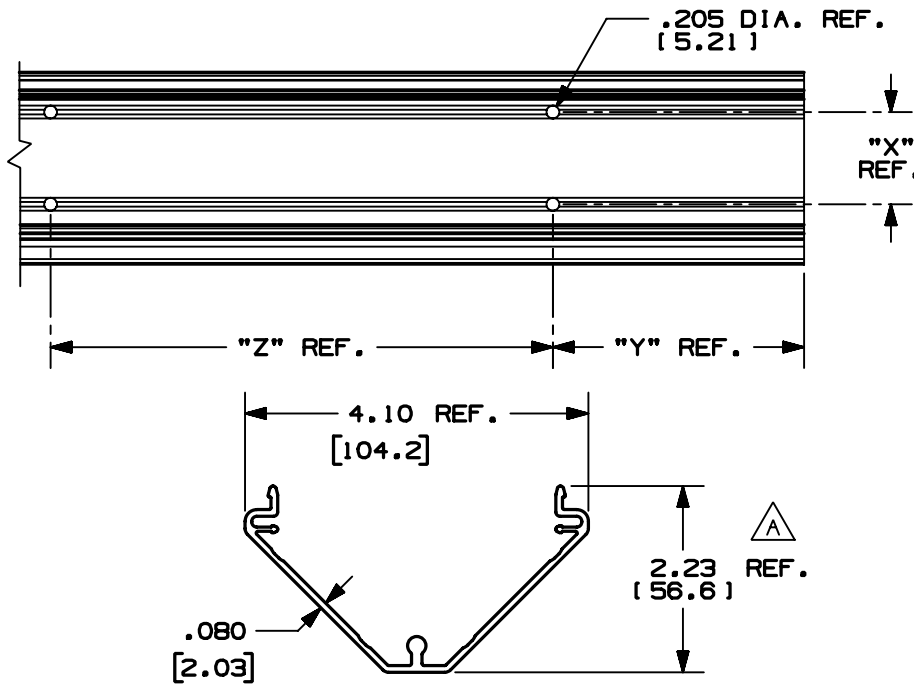


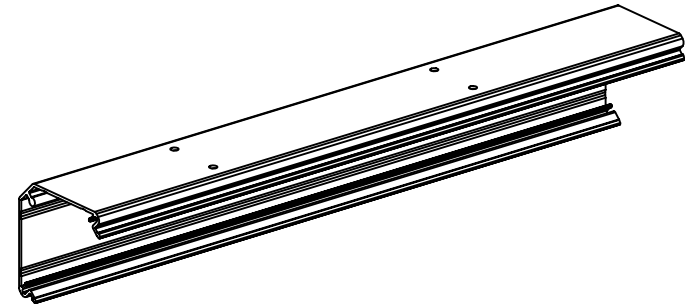
THIS COPY IS PROVIDED ON A RESTRICTED BASIS AND IS NOT TO BE USED IN ANY WAY DETRIMENTAL TO THE INTERESTS OF PANDUIT CORP.

PANDUIT PART NO.	LENGTH	WEIGHT	MOUNTING HOLE DIM'S		
			"X"	"Y"	"Z"
WCM35B**8	96.00 ±.18 [2438 ±4.6]	2.98 LBS/96 IN [1351.7 G/2438 MM]	1.47 [37.3]	4.00 [101.6]	8.00 [203.2]



NOTES:

- **1. SEE CURRENT CATALOG FOR ADDITIONAL PART NUMBER SUFFIXES TO INDICATE COLOR AND/OR PACKAGE QUANTITY.
- 2. THIS PRODUCT IS INTENDED TO BE USED WITH PANDUIT TYPE WCM35 RACEWAY.
- 3. DIMENSIONS IN PARENTHESIS ARE IN METRIC.



CAD FILENAME/LAYERS D37786CD_DC_WCM35B_05C.PRT

PANDUIT CORP. TINLEY PARK, ILLINOIS
3.5 INCH COVE MOLDING
BASE (WCM35B)
 CUSTOMER DRAWING

REV	DATE	BY	CHK	DESCRIPTION	ECN	CHK	CUST	SUP
2	12-15-03	JBN	BKR	E. REVISED DIMENSION TO FIRST HOLE D. REVISED WEIGHT	37786-12	RGRO	RGRO	
-	-----	---	---	RELEASED TO PRODUCTION	-----	-----	-----	
-	-----	---	---	C. REVISED PART DESCRIPTION	-----	-----	-----	
1	11-05-02	JHEP	BKR	B. REVISED WEIGHT A. REVISED DIMENSION TO REFERENCE	37786-12	RGRO	RGRO	
R	04-09-02	JBN	BKR	DRAWING RELEASED				

UNLESS OTHERWISE SPECIFIED, DIMENSIONAL TOLERANCES ARE: (.X)± (XXX) ± .015(.38) (.XX)± .03(.8) ANGLES ±		UNLESS OTHERWISE SPECIFIED, ALL DIMENSIONS ARE GIVEN IN INCHES, THIRD ANGLE PROJECTION.	
DRAWN BY JBN	MAT'L: PVC	SCALE NONE	
DATE 04-09-02		DRAWING NO. 37786-12	DWG A
CHK'D BKR			SIZE