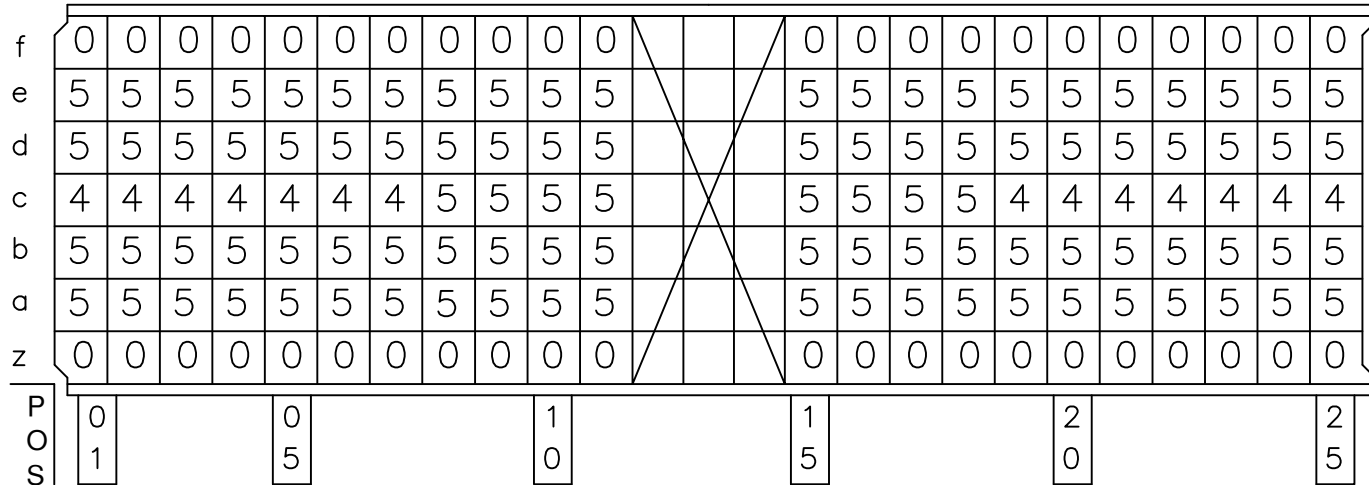
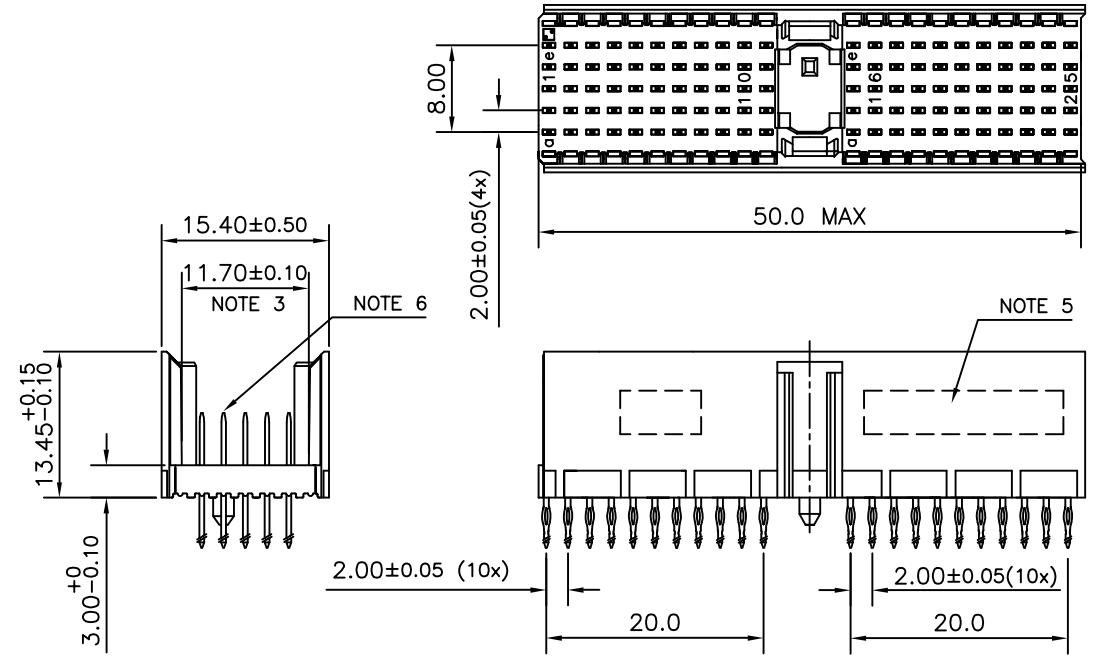


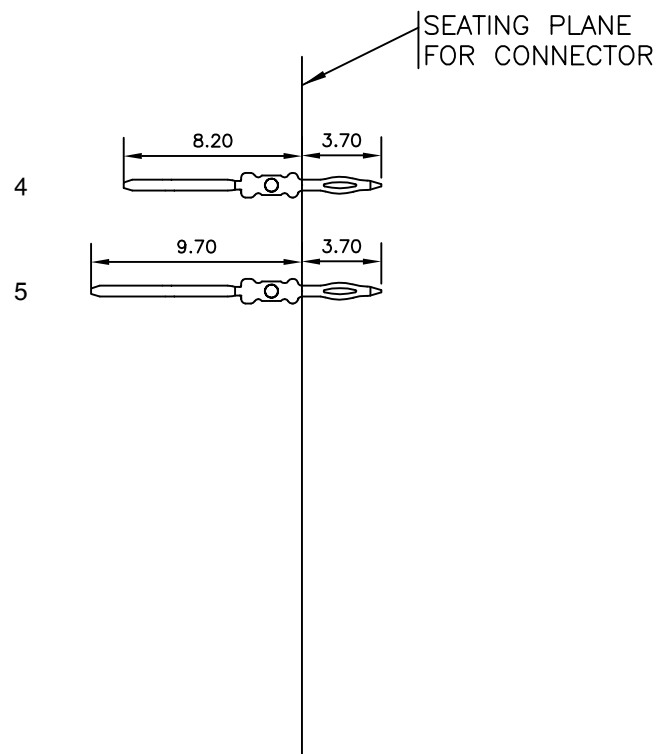
LOADING PATTERN MATING SIDE



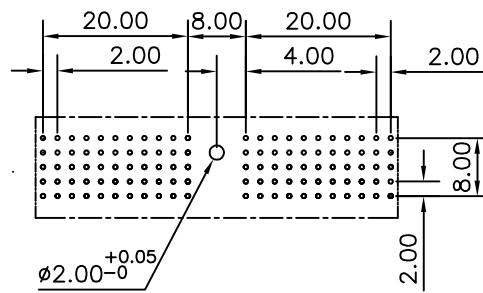
LOADED CONNECTOR ASSEMBLY (FOR EXAMPLE)



CONTACT OVERVIEW



LAY-OUT P.C.B.-HOLE



HM2P07PDT1F0 (DIGIT 15 & 16)  
 LEAD FREE INDICATOR : LF = LEAD FREE  
 PLATING CODE (DIGIT 13 AND 14)  
 (REF DRW NO. BS,C , 201844 , 003)

NOTES

1. THIS PRODUCT IS CSA APPROVED.
2. THIS PRODUCT IS UL RECOGNIZED.
3. MEASURED AT THE BOTTOM.
4. MATERIAL CONTACT: PHOSPHORBRONZE  
 HOUSING: CREAM WHITE GLASS FILLED POLYESTER UL-94V0
5. CONNECTOR PRINTED WITH P/N AND DATE CODE.
6. FOR ACTUAL CONTACT LOADINGS, SEE LOADING PATTERN MATING SIDE.
7. SHAPE OF CONNECTOR HOUSING CAN ALTER DEPENDING ON PRODUCTION LOCATION
8. THE PRODUCT (LF) MEETS EUROPEAN UNION DIRECTIVES AND OTHER COUNTRY REGULATIONS AS DESCRIBED IN GS-22-008
9. FOR RECOMMENDED PTH DIMENSIONS REFER DRAWING : BS, A , 201572 , 001

CATALOG NO: HM2P07PDT1F0----

mat'l. code SEE NOTE 4				surface ISO 1302 <input checked="" type="checkbox"/> ISO 406 ISO 1101		tolerance ISO 1101	projection 	product family MILLIPACS			
litr				ecn no		dr	date	tolerances unless otherwise specified		title	
A	I03-0017	MKV	29/05/2003	angles	linear	.0±0.2	MM	MPACS 5+2R STR HDR PF CONN TYPE A			
B	I05-0171	MINI	28/09/2005	0°±1°		.00±0.1					
C	I06-0077	MINI	21/06/2006			.000±.00X	scale -				
			dr	MINI K VANDANATH	29/05/2003			dwg no	sheet 1 of 1	size	5
			enr	BIJU K PAUL	29/05/2003			BS, C , 203028, 033	A3		
			chr	BIJU K PAUL	21/06/2006			type	Product	Customer	Drawing
			appd	BIJU K PAUL	21/06/2006						
sheet index	revision sheet	C	1								