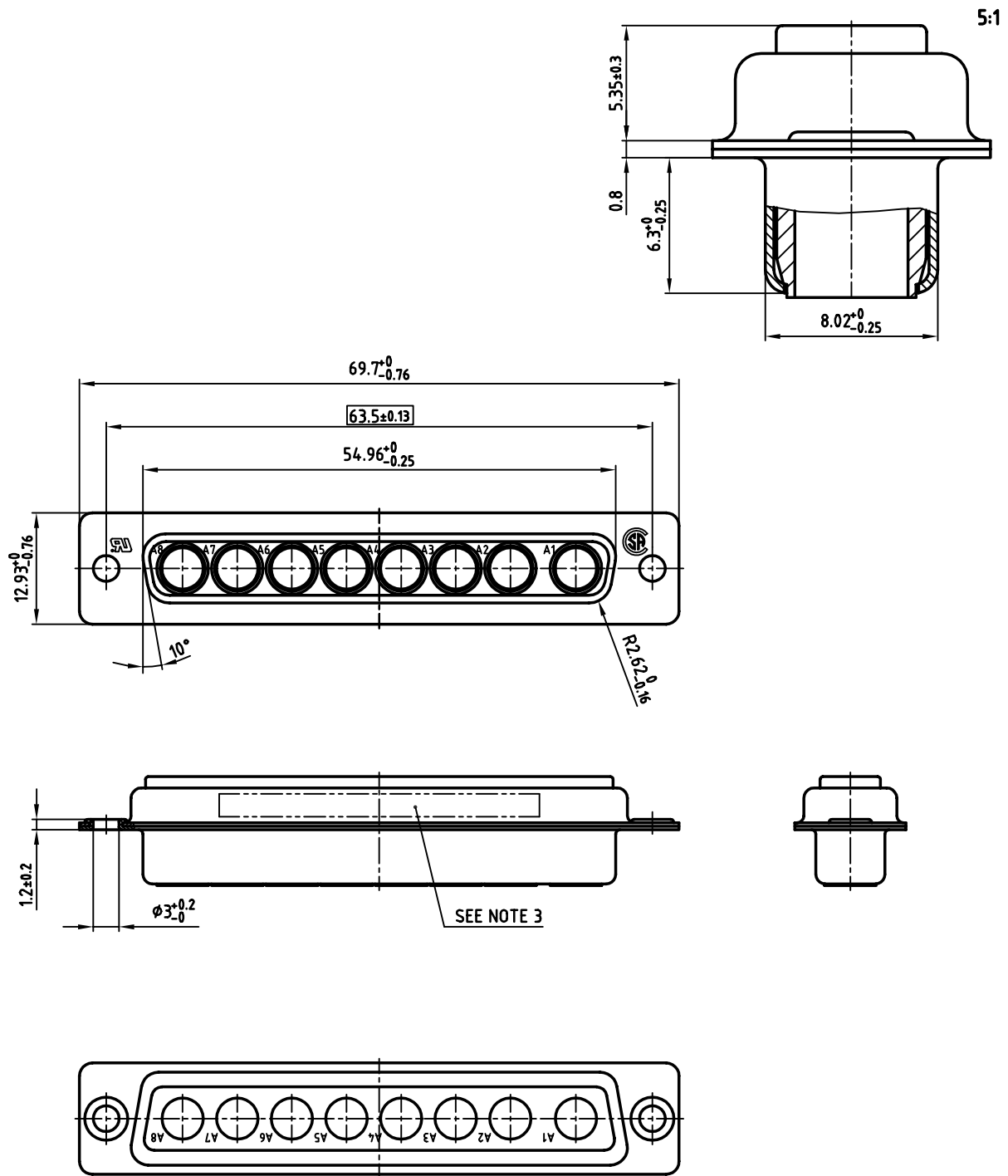


used for: D-SUB COMBINATION



NOTES:

1. METALSHELLS: STEEL; min. 320µ" YELLOW CHROMATE
2. INSULATORS: PBT GF UL 94 V-0; GREEN
3. CONNECTOR IS PART MARKED: PART NO: CONEC Y/WW
4. = CRITICAL DIMENSION

THIS DRAWING MAY NOT BE COPIED OR REPRODUCED IN ANY WAY, AND MAY NOT BE PASSED ON TO A THIRD PARTY, WITHOUT WRITTEN PERMISSION. OWNERSHIP AND COPYRIGHT OF CONEC GmbH DO NOT ALTER CAD DRAWING BY HAND	tolerance				scale: 2:1 (5:1)	title: D-SUB COMBINATION FEMALE 8W8S
					material: SEE NOTES	
	2002	date	name		dwg no: AutoCAD 2000 DIN-A 13K1A704 3 sh: 1/1	
	drawn	09.09.	Schmidt			
	appd.	09.09.	Mickenbecker			
	norm					
				d-old	part no: 5008W8SXX99A10X	
rev.	description	date	name			